

8 7 6 5 4 3 2 1

F

F

E

E

D

D

C

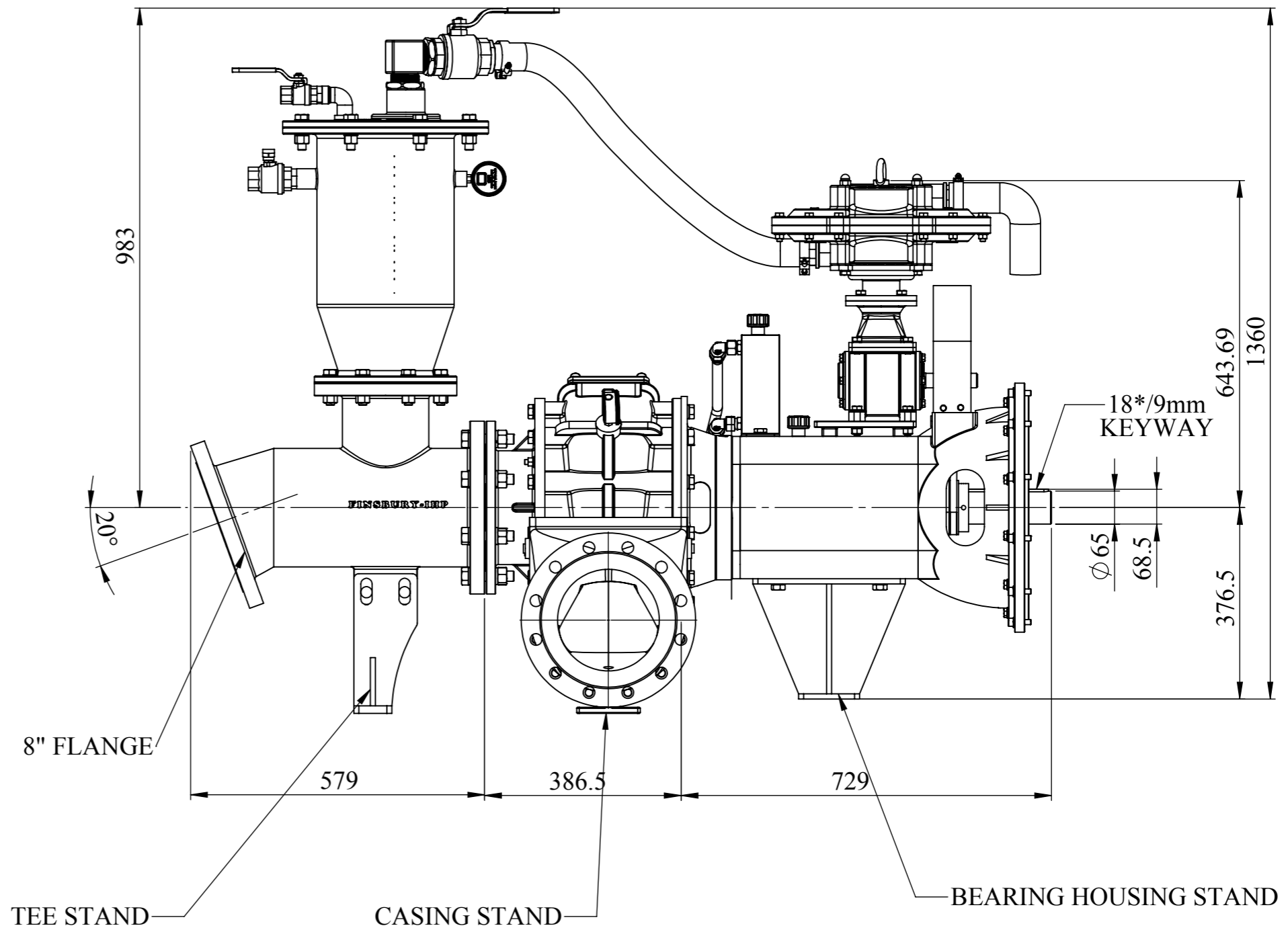
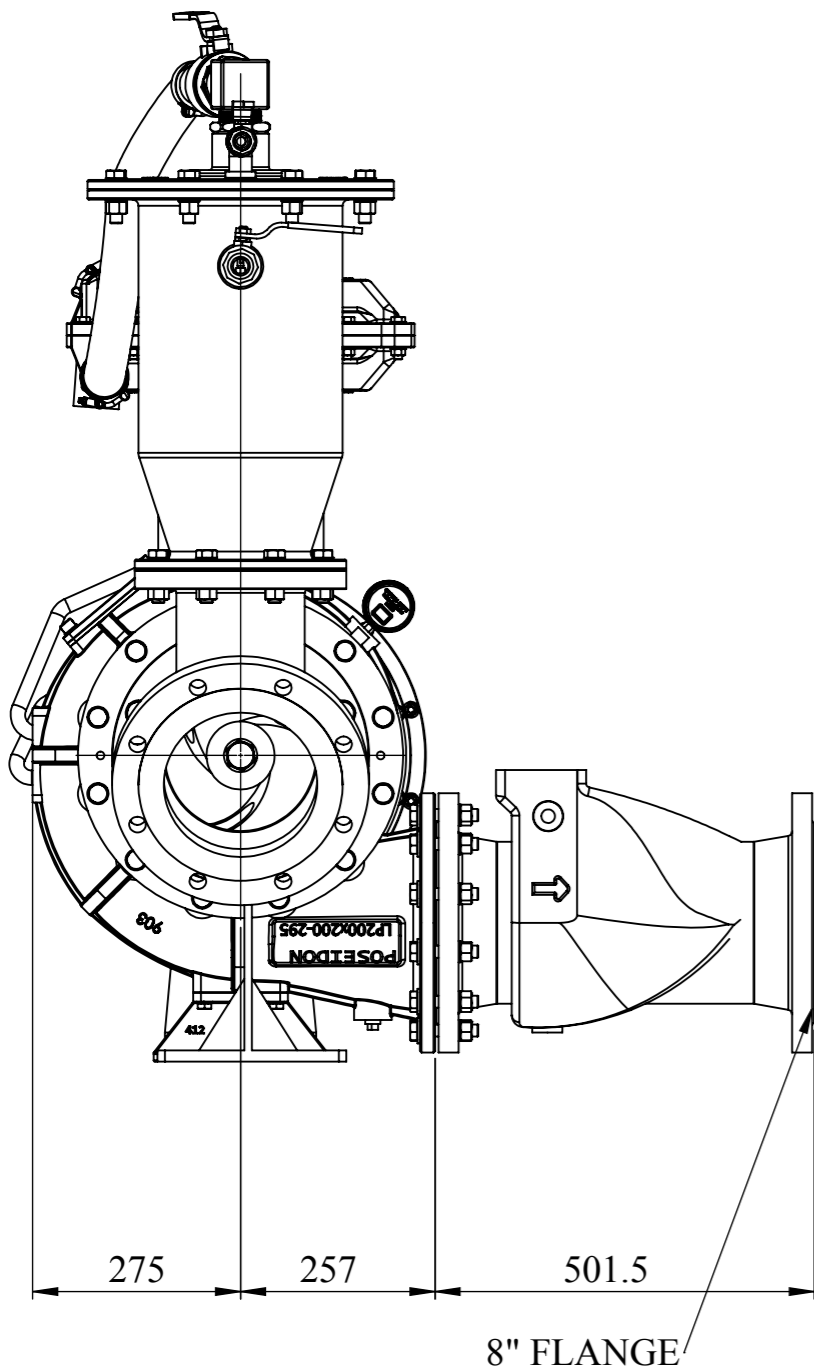
C

B

B

A

A



NOTE:-

1. Flange Connection dimension can vary flanged joint depends.

8 7 6 5 4 3 2 1